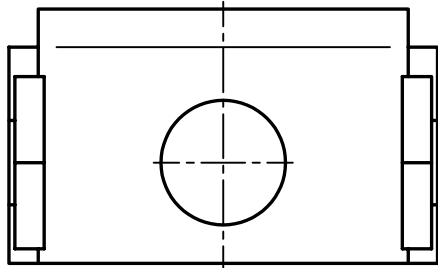
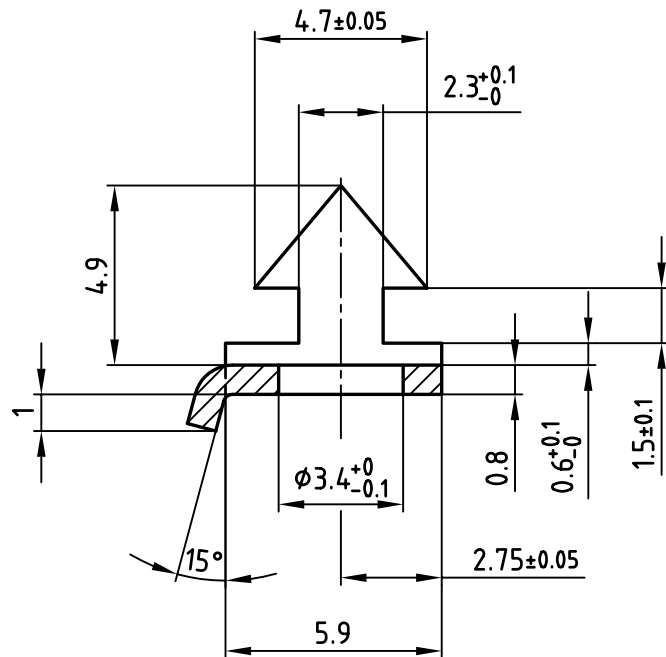
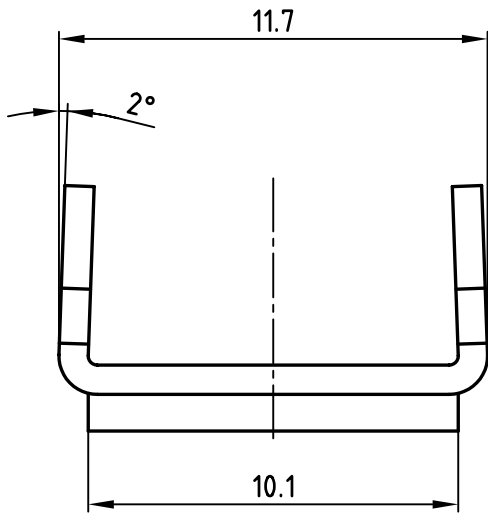


used for: D - SUB



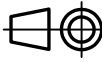

**NOTES:**

1. Part is splint and burrfree
3. Excellent adhesion of surface to the base material
3. radius without dimensions = R 0.25

Directive 2002/95/EC  
„RoHS“  
Compliant

THIS DRAWING MAY NOT BE COPIED OR REPRODUCED IN ANY WAY, AND MAY NOT BE PASSED ON TO A THIRD PARTY WITHOUT WRITTEN PERMISSION.  
OWNERSHIP AND COPYRIGHT OF CONEC GmbH  
DO NOT ALTER CAD DRAWING BY HAND

finish: nickel plated			tolerance ISO 2768-m		
1993	date	name			
drawn	05.07.	Barcinski			
appd.	05.07.	Mickenbecker			
norm					
d-old					
rev.	description	date	name		

scale:	5:1	
material:	STEEL	
title:	<b>LOCK</b> Ø3.4 for slide lock	
dwg no:	AutoCADREL.13	DIN-A
	16V1EE6A	4
part no:	165X10119X	
		sh: 1/1

4

3

2

1